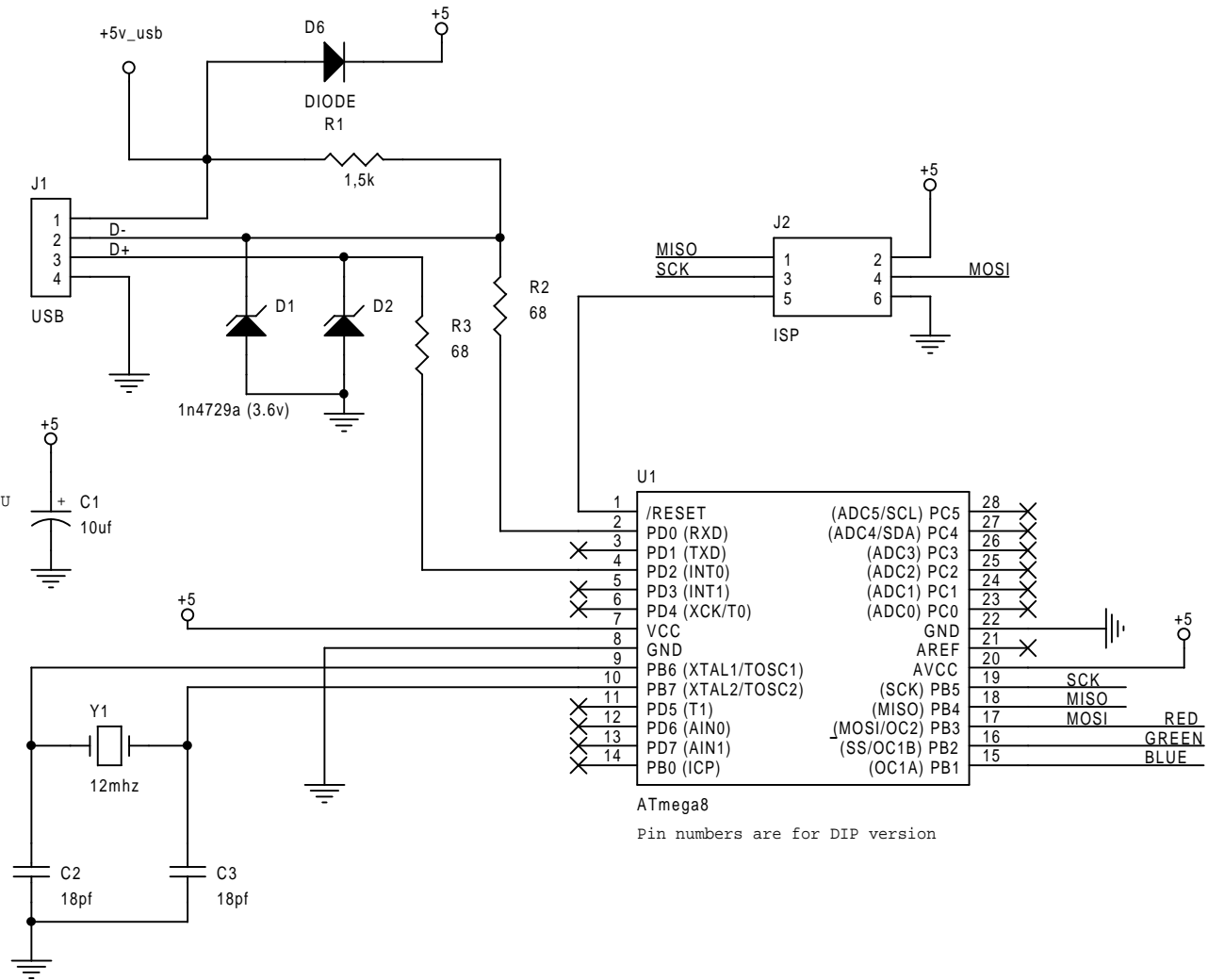


Put near MCU



ATmega8
Pin numbers are for DIP version