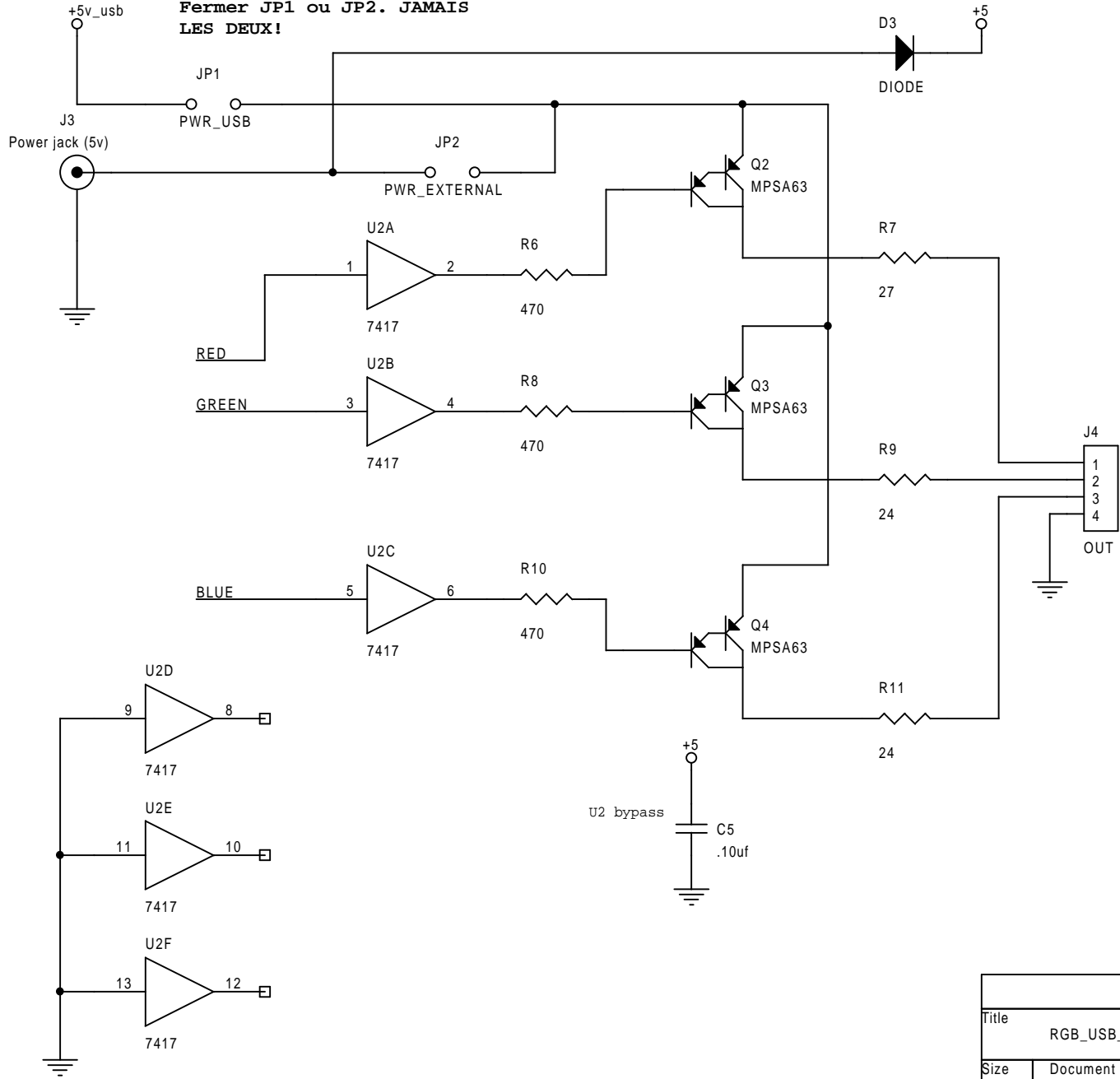


-- IMPORTANT --
Only close JP1 or JP2.
NEVER BOTH!
Fermer JP1 ou JP2. JAMAIS
LES DEUX!



Title		
RGB_USB_LEDS, Dual Voltage		
Size	Document Number	Rev
A		B
Date:	Wednesday, February 21, 2007	Sheet 2 of 2